

Platforms

Platforms - Bucket (Aerial Devices)

On this page

[What are items to check during the daily inspection?](#)

[What should you do when using a bucket or other aerial device?](#)

[What should you not do?](#)

What are items to check during the daily inspection?

- Check all welds between cylinders and booms for cracks or wear.
- Inspect all pivot pins for the security of their locking devices.
- Check all exposed cables, sheaves and levelling devices for wear and secure attachment.
- Inspect hydraulic system for frayed hoses, deterioration, and leaks.
- Check lubrication and fluid levels.
- Inspect boom and basket for cracks or abrasions.
- Check for the load capacity posting, and other operational and instructional markings.
- Operate boom from ground controls through one complete cycle. Check for unusual noises and uncontrolled movements.
- Check that emergency controls and safety devices are operational.
- Keep a log of inspections and related items or repairs.

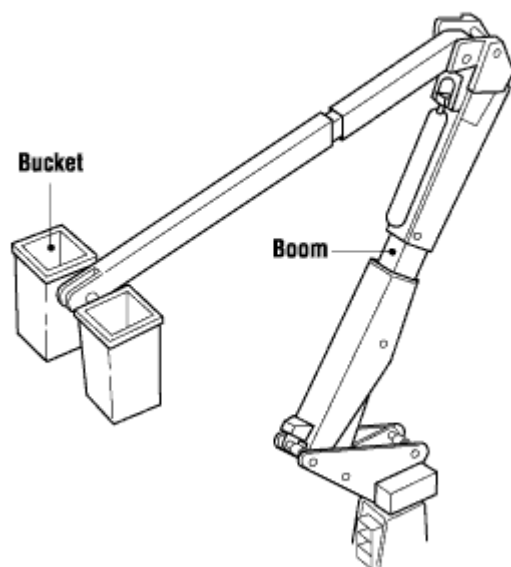
What should you do when using a bucket or other aerial device?

- Wear a safety harness connected to the boom. Do not attach safety harness to adjacent pole or structure.
- Ensure that no one is in the area before lowering stabilizers, outriggers or the boom.

- Ensure that each axle is horizontal when the vehicle is parked on a hill. Work with the boom pointed uphill beyond the vehicle's centre.
 - Protect a roadway job site with traffic warning signs, lights and barricades. Determine if extended boom movements will interfere with traffic.
 - Secure all tools when not in use.
 - Maintain the recommended distance from electrical wires unless you and the bucket are certified for electrical work.
 - Face the direction of travel.
 - Operate hydraulic controls slowly for smooth platform motion.
 - Be aware of the other possible hazards including other persons, or weather.
-

What should you not do?

- Do not stand on top of a bucket or use planks or ladders to gain extra height.
- Do not enter or leave a bucket by walking on the boom.
- Do not exceed the rated load limit.
- Do not ride from one job to another in the bucket.
- Do not climb from bucket to another elevated position without being secured to the new position.
- Do not work above other workers. Clear the area below.
- Do not throw tools to or from an elevated bucket.
- Do not attempt to slow any air or hydraulic leak by using your hand or body.
- Do not move the machine when the platform is raised.



Fact sheet last revised: 2018-01-03

Disclaimer

Although every effort is made to ensure the accuracy, currency and completeness of the information, CCOHS does not guarantee, warrant, represent or undertake that the information provided is correct, accurate or current. CCOHS is not liable for any loss, claim, or demand arising directly or indirectly from any use or reliance upon the information.